

MODEL	BF-V142
Standby Power (50Hz)	114KW / 142KVA
Prime Power (50Hz)	104KW / 130KVA

Standard Features

General Features:

Engine (VOLVO TAD532GE)
 Radiator 55°C max, fans are driven by belt, with safety guard
 24V charge alternator
 Alternator: single bearing alternator IP23, insulation class H/H
 Absorber
 Dry type air filter, fuel filter, oil filter, pre-filter
 Main line circuit breaker
 Standard control panel
 Oil drain pump
 Two 12V batteries, rack and cable
 Ripple flex exhaust pipe, exhaust siphon, flange, muffler
 User manual



PHOTO FOR REFERENCE ONLY

Generator Ratings

Voltage	HZ	Phase	P.F (COS Ø)	Standby Amps	Standby Ratings (KW/KVA)	Prime Ratings (KW/KVA)
440/254	50	3	0.8	187	114/142	104/130
415/240	50	3	0.8	198	114/142	104/130
400/230	50	3	0.8	206	114/142	104/130
380/220	50	3	0.8	217	114/142	104/130

Prime Power (PRP): Prime power is available for an unlimited number of annual hours in variable load application, in accordance with GB/T2820-97 (eqv ISO8528); A 10% overload capability is available for a period of 1 hour within a 12-hour period of operation.

Standby Power Rating (ESP): The standby power rating is applicable for supplying emergency power for the duration of a utility power interruption. No overload, utility parallel or negotiated outage operation capability is available at this rating.

Sales Promises

Baifa Power provides a full line of brand new and high quality products. Each and every unit is strictly factory tested.

Warranty is according to our standard conditions: a, 15 months, counted on the day BAIFA sold to the first buyer; b, One year after installation; c, 1000 running hours (accumulated); subject to the earlier one. Service and parts are available from Baifa Power or distributors in your location.

ENGINE DATA

Manufacturer / Model:	VOLVO TAD532GE, 4-cycle
Air Intake System:	Turbo, Air/Air Cooling
Fuel System:	Directly Injection Fuel System, Bosch Pump
Cylinder Arrangement:	4 in line
Displacement:	4.76L
Bore and Stroke:	108*130 (mm)
Compression Ratio:	18
Rated RPM:	1500rpm
Max. Standby Power at Rated RPM:	125KW/170HP (with fan)
Governor Type:	EDC4

Exhaust System

Exhaust Gas Flow:	23.2m ³ /min
Exhaust Temperature:	532°C
Max Back Pressure:	5kPa

Air Intake System

Max Intake Restriction:	3.5kPa
Burning Capacity:	8.03m ³ /min
Air Flow:	150m ³ /min

Fuel System

100%(Prime Power) Load:	214 g/KWh
75%(Prime Power) Load:	210 g/KWh
50%(Prime Power) Load:	213 g/KWh
100%(Prime Power) Load:	28.6L/h

Oil System

Total Oil Capacity:	13L
Oil Consumption:	0.08L/h
Engine Oil Tank Capacity:	9~11L
Oil Pressure at Rated RPM:	450-480kPa

Cooling System

Total Coolant Capacity:	20.2L
Thermostat:	83-95°C
Max Water Temperature:	105°C

ALTERNATOR SPECIFICATION**GENERAL DATA**

Compliance with GB755, BS5000, VDE0530, NEMAMG1-22, IED34-1, CSA22.2 and AS1359 standards.

Alternator Data

Number of Phase:	3
Connecting Type:	3 Phase and 4 Wires, "Y" type connecting
Number of Bearing:	1
Power Factor:	0.8
Protection Grade:	IP23
Altitude:	≤1000m
Exciter Type:	Brushless, self-exciting
Insulation Class, Temperature Rise:	H/H
Telephone Influence Factor (TIF):	<50
THF:	<2%
Alternator Capacity:	140KVA
Alternator Efficiencies:	91.7%

GENERATING SET DATA

Voltage Regulation:	≥±5%
Voltage Regulation, Stead State:	≤±1%
Sudden Voltage Warp (100% Sudden educe):	≤+25%
Sudden Voltage Warp (Sudden Increase):	≤-20%
Voltage Stable Time (100% Sudden Reduce):	≤6S
Voltage Stable Time (Sudden Increase)	≤6S
Frequency Regulation, Stead State:	≤4%
Frequency Waving:	≤1.5%
Sudden Frequency Warp (100% Sudden Reduce):	≤+12%
Sudden Frequency Warp (Sudden Increase):	≤-10%
Frequency Recovery Time (100% Sudden educe):	≤5S
Frequency Recovery Time (Sudden Increase):	≤5S
Noise Level:	103.5dB

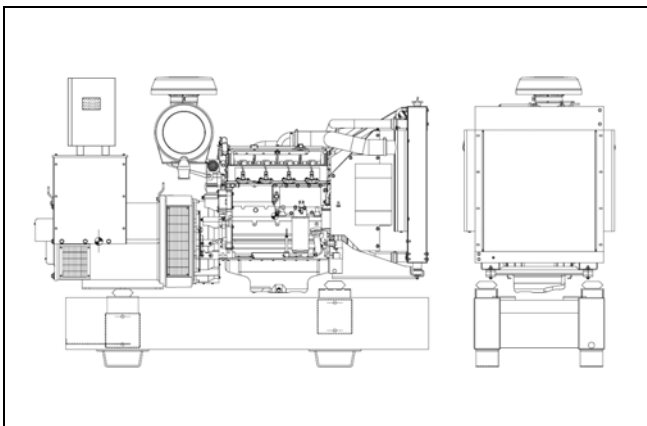
Standard Features

- ◇ “COMAP” Standard Auto Control System
- ◇ Base Fuel Tank
- ◇ Oil Drain Pump
- ◇ MCCB
- ◇ Starting batteries (Maintenance-Free & Watering-Free) with connective wires
- ◇ Exhaust System(including until muffler)
- ◇ Special Coolant for Volvo
- ◇ Water Separator (Volvo)
- ◇ Documents

Options

- ◇ Daily Fuel Tank
- ◇ Battery Charger
- ◇ Engine Heater
- ◇ Alternator Heater
- ◇ Engine Air Intake Heater
- ◇ Permanent Magnet Generator(PMG)
- ◇ Rainproof Type
- ◇ Soundproof Type
- ◇ Trailer Type
- ◇ Spare Parts
- ◇ Remote Control Panel
- ◇ Automatic Transfer Switch
- ◇ Switch box
- ◇ Paralleling System

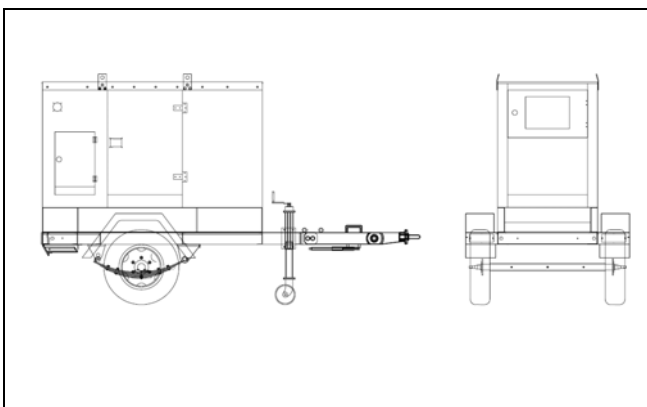
Dimension & Weight



With Base Fuel Tank

Overall Size: 2280*920*1550(mm)

Weight: 1400kg



Soundproof Type

Overall Size: 2800*1140*1830(mm)

Weight: 2000kg

Trailer Type

Overall Size: 3390*1720*2470(mm)

Weight: 2650kg

Standard Control Panel



Baifa Standard Control Panel is the basic configuration for normal operation and usage, it is of some advantages such as easy to operate, various function and well protection. Operative buttons such as Turn On, Per-heat, Starting, Stop (Emergency Stop) on the panel. While malfunction occurs, control panel will stop the generator and also alarm with light or buzz.

Auto Module Control Panel



Auto Module Control Panel is the configuration for nobody on duty controlling generators. This kind of panel adopts auto module control system, with large LCD display to show the menu.

Features: MRS10-can receive remote output signal from ATS and realize auto start and stop of generators.

MRS16-can realize all functions of MRS10, add RS232 interface which can communicate with PC to realize remote operation.

AMF25-Auto Mains Failure controller, can realize all functions of MRS16, furthermore can detect ATS and control directly.

Auto Parallel Control Panel



Automatic Parallel Control Panel This new automatic parallel system adopts intelligent modules, inserted and folded installed, no need the peripheral relay and logic circuit. The main switch adopts electronic breaker or frame breaker, combined together with the generator, which is very reliable. One generator, one panel. The panel can be used both for singly and parallel. It is only need to parallel generator with such panel when the capability needs to be enlarged in the future.